

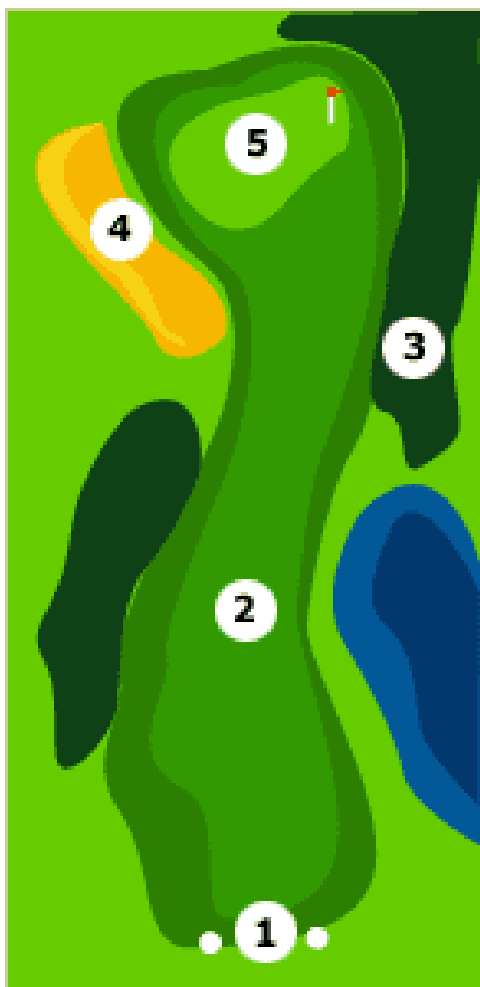
				Answer	
1	<b>When did the history of the Post office begin ?</b>				
	A <input type="checkbox"/> Auguste (Ier s. av.JC)	B <input type="checkbox"/> Cyrus le Grand (558-528 av.JC)	C <input type="checkbox"/> Louis XI	D <input type="checkbox"/> Charlemagne	
2	<b>What is the 1896 invention which will have a world echo?</b>				
	A <input type="checkbox"/> Birth of the TV	B <input type="checkbox"/> Birth of the radio	C <input type="checkbox"/> Birth of the telegraphy	D <input type="checkbox"/> Invention of the laser	
3	<b>What is the common point between these five physicists Maxwell, Branly, Hertz, Popov, and Marconi ?</b>				
	A <input type="checkbox"/> Birth of the TV	B <input type="checkbox"/> Birth of the radio	C <input type="checkbox"/> Birth of the computer science	D <input type="checkbox"/> Invention of the laser	
4	<b>Who did calculate for the first time, with exactness, the circumference of the Earth ?</b>				
	A <input type="checkbox"/> Galilée	B <input type="checkbox"/> Posidonius	C <input type="checkbox"/> Kepler	D <input type="checkbox"/> Erastosthène	
5	<b>Who is the first man flying in the space?</b>				
	A <input type="checkbox"/> Alan Sheppard	B <input type="checkbox"/> Neil Amstrong	C <input type="checkbox"/> Iouri Gagarine	D <input type="checkbox"/> Edwin Aldrin	
6	<b>What is the international unit of the luminous intensity?</b>				
	A <input type="checkbox"/> Weber	B <input type="checkbox"/> Candela	C <input type="checkbox"/> Pascal	D <input type="checkbox"/> Ohm	
7	<b>When did the first Winter Olympics take place ?</b>				
	A <input type="checkbox"/> 1912	B <input type="checkbox"/> 1924	C <input type="checkbox"/> 1948	D <input type="checkbox"/> 1964	
8	<b>What appears the most clearly: the black velvet under the sunlight or the white snow under the light of the full moon ?</b>				
	A <input type="checkbox"/> Black velvet under the Sun		B <input type="checkbox"/> White snow under the Moon		
9	<b>Who has expressed the theory (Matter can neither be created nor destroyed, only transformed)"?"</b>				
	A <input type="checkbox"/> Lavoisier	B <input type="checkbox"/> Einstein	C <input type="checkbox"/> Edison	D <input type="checkbox"/> Morse	

10	<p><b>Best selling single in England ?</b></p> <table border="1" data-bbox="172 226 1331 300"> <tr> <td data-bbox="172 226 453 300">A <input type="checkbox"/> Satisfaction of Rollings Stones</td> <td data-bbox="453 226 740 300">B <input type="checkbox"/> Yesterday of Beatles</td> <td data-bbox="740 226 1027 300">C <input type="checkbox"/> Billies Jean of Michael Jackson</td> <td data-bbox="1027 226 1331 300">D <input type="checkbox"/> Candle in the Wind of Elton John</td> </tr> </table>	A <input type="checkbox"/> Satisfaction of Rollings Stones	B <input type="checkbox"/> Yesterday of Beatles	C <input type="checkbox"/> Billies Jean of Michael Jackson	D <input type="checkbox"/> Candle in the Wind of Elton John																	
A <input type="checkbox"/> Satisfaction of Rollings Stones	B <input type="checkbox"/> Yesterday of Beatles	C <input type="checkbox"/> Billies Jean of Michael Jackson	D <input type="checkbox"/> Candle in the Wind of Elton John																			
11	<p><b>Antonio Vivaldi was a virtuoso of an instrument, which one?</b></p> <table border="1" data-bbox="172 461 1331 501"> <tr> <td data-bbox="172 461 453 501">A <input type="checkbox"/> harpsichord</td> <td data-bbox="453 461 740 501">B <input type="checkbox"/> harp</td> <td data-bbox="740 461 1027 501">C <input type="checkbox"/> violin</td> <td data-bbox="1027 461 1331 501">D <input type="checkbox"/> oboe</td> </tr> </table>	A <input type="checkbox"/> harpsichord	B <input type="checkbox"/> harp	C <input type="checkbox"/> violin	D <input type="checkbox"/> oboe																	
A <input type="checkbox"/> harpsichord	B <input type="checkbox"/> harp	C <input type="checkbox"/> violin	D <input type="checkbox"/> oboe																			
12	<p><b>To which invention did G. Marconi, J.A. Fleming, E. Ducretet and E. Roger contribute?</b></p> <table border="1" data-bbox="172 651 655 696"> <tr> <td data-bbox="172 651 655 696"></td> </tr> </table>																					
13	<p><b>What is the meaning of the following abbreviations ?</b></p> <table border="1" data-bbox="172 786 1310 972"> <tr> <td data-bbox="172 786 344 831">Wi Fi</td> <td data-bbox="344 786 1310 831"></td> </tr> <tr> <td data-bbox="172 831 344 875">Wi Max</td> <td data-bbox="344 831 1310 875"></td> </tr> <tr> <td data-bbox="172 875 344 920">WLAN</td> <td data-bbox="344 875 1310 920"></td> </tr> <tr> <td data-bbox="172 920 344 972">WEP</td> <td data-bbox="344 920 1310 972"></td> </tr> </table>	Wi Fi		Wi Max		WLAN		WEP														
Wi Fi																						
Wi Max																						
WLAN																						
WEP																						
14	<p><b>Quote at least five names of personal, local, national wireless networks.</b></p> <table border="1" data-bbox="172 1077 1321 1294"> <tr> <td data-bbox="172 1077 416 1128"></td> <td data-bbox="416 1077 639 1128"></td> <td data-bbox="639 1077 895 1128"></td> <td data-bbox="895 1077 1114 1128"></td> <td data-bbox="1114 1077 1321 1128"></td> </tr> <tr> <td data-bbox="172 1128 416 1180"></td> <td data-bbox="416 1128 639 1180"></td> <td data-bbox="639 1128 895 1180"></td> <td data-bbox="895 1128 1114 1180"></td> <td data-bbox="1114 1128 1321 1180"></td> </tr> <tr> <td data-bbox="172 1180 416 1232"></td> <td data-bbox="416 1180 639 1232"></td> <td data-bbox="639 1180 895 1232"></td> <td data-bbox="895 1180 1114 1232"></td> <td data-bbox="1114 1180 1321 1232"></td> </tr> <tr> <td data-bbox="172 1232 416 1294"></td> <td data-bbox="416 1232 639 1294"></td> <td data-bbox="639 1232 895 1294"></td> <td data-bbox="895 1232 1114 1294"></td> <td data-bbox="1114 1232 1321 1294"></td> </tr> </table>																					
15	<p><b>Let us play all the Golf !</b></p>																					
16	<p><b>Competition Lewis Caroll - Mathematics</b></p>																					
17	<p><b>Competition Lewis Caroll - Humanities</b></p>																					
18	<p><b>Try this Kendoku</b></p>																					
19	<p><b>Solve that little Sudoku</b></p>																					
20	<p><b>Mathematical Quickies</b></p>																					
21	<p><b>Tie-Break questions</b></p> <ol style="list-style-type: none"> <li data-bbox="172 1944 831 1989">1. How many people are attending tonight's diner ?</li> <li data-bbox="172 1989 831 2033">2. How may women were present to SAME 2008 ?</li> </ol>																					

# QUIZ

Mathematics, Physics, Microelectronics,  
Electronics, Humanities, and so on

## 15 Let us play all the Golf !



G1

Can you give a name to every course number indicated on the left picture ?

Course	n°
Start	
Rough	
Fairway	
Green	
Bunker	

G2

How do we call a score of one stroke above par on a given hole ?	
How do we call a score of one stroke under par on a given hole ?	
How do we call a score of two stroke under par on a given hole ?	
How do we call a score of two under par for a given hole ?	
How do we call a score of three under par for a given hole ?	

1. Albatros - 2. Eagle - 3. Birdie  
4. Bogey - 5. Double Bogey

G3

In what country is the highest golf course of the world ?

1. Argentina - 2. Peru- 3. Mexico

Country	
---------	--

G4

Where is practised the golf in Japan ?

1. Outdoors - 2. In room

Where ?	
---------	--

# QUIZ

Mathematics, Physics, Microelectronics,  
Electronics, Humanities, and so on

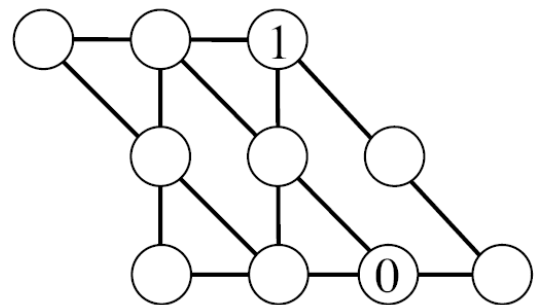
## Competition Lewis Carroll Mathematics and Humanities

*Extract from June 2009, Tangente series - level 6<sup>th</sup> - 5<sup>th</sup> !*

**16**

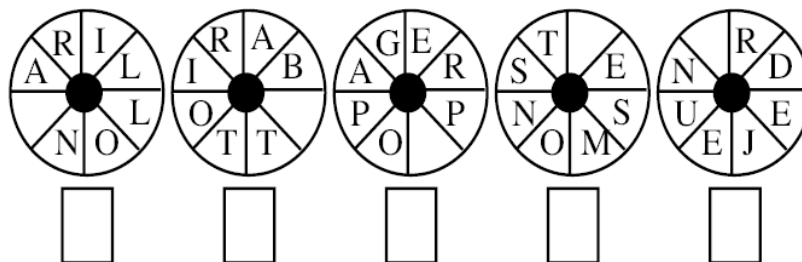
In this diagram, we want to register the numbers from 0 to 9 (the numbers 0 and 1 are already written).

The sum of the numbers written in a segment must always be equal to 13.



**17**

In each of these wheels are registered seven letters. Find the missing letter, which will allow you to obtain a word of eight letters. This word is read clockwise, from a letter which can be in any place on the circle. Write under every wheel the letter which is missing and you will find a word of five letters.



### 18 KENDOKU

3-		12*	
2-	2/	3	
		6+	
9+			

### 19 SUDOKU

	4	3	
3			
			1
	1	2	

# QUIZ

Mathematics, Physics, Microelectronics,  
Electronics, Humanities, and so on

## 20 Mathematical Quickies

Answer at one or two questions MQ1 or MQ2 ?

### MQ1

Sam Lyod and sweet chestnuts

Having collected 770 sweet chestnuts, three girls shared them proportionally at their ages.

Every time Mary taken four sweet chestnuts, Nellie took three.  
Every time Mary taken six sweet chestnuts, Susie took seven.

How many sweet chestnuts did every girl obtain?



### MQ2

What is the age of Diophante?

On the grave of Diophante we could read:

Passer-by, it is here the grave of Diophante

This is him who teaches you the number of years when he lived

His youth occupied of it the sixth part

Then the cheek covered itself with a first down during the twelfth

It still spent the seventh of its life before taking a wife

and, five years later, it had a beautiful child who  
having reached half of the final age of his father, dies of an  
unfortunate death

His father survived him four years

From all this, deduct his age.



<b>MQ1</b>	<b>MQ2</b>
Marie :	years
Nelly :	
Susie :	

Sources :

C. W. Trigg, *Mathematical Quickies*, Éditions Dover, 1985.

L. Graham, *Ingenious mathematical Problems an Methods*, Éditions Dover, 1959.

L. Graham, *The Surprise Attack in Mathematical Problems*, Éditions Dover, 1968.

M. Gardner, « Haha » ou *l'éclair de la compréhension mathématique*, in *Bibliothèque Pour la Science*, 1979.

Y. Perelman, *Oh, la physique!*, Editions Dunod, 2005.

Pour la Science.